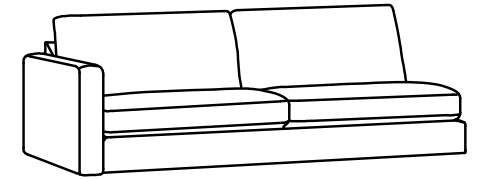


SEATER

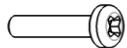

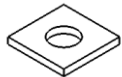
WITH ARMREST

VILMA 3-sits öppet avslut

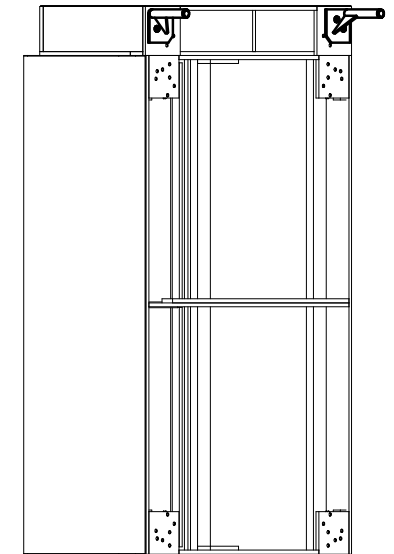
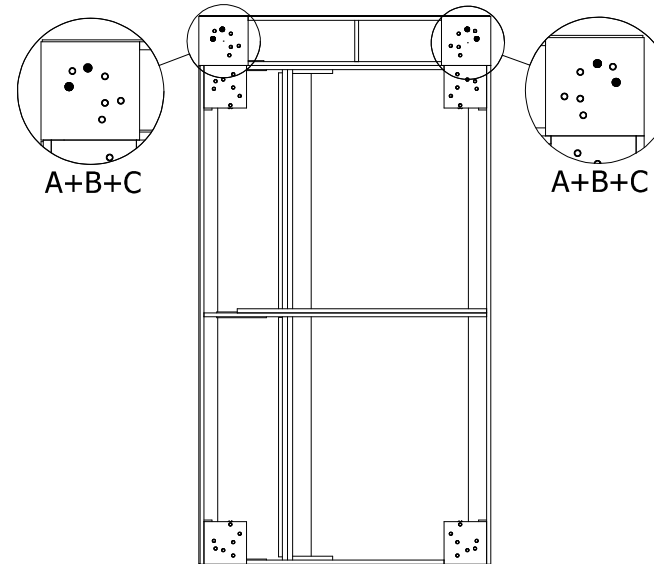
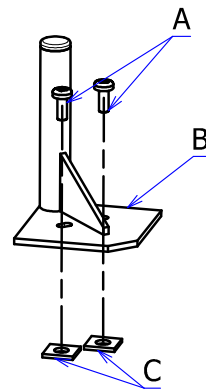


MODULAR SOFA

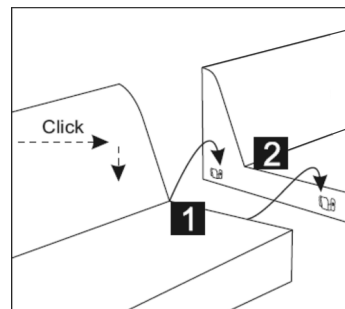
I

A	4	
B	2	 No. 387 15 cm
C	4	 Plastic

II



III



IMPORTANT

The direction in which the hooks are connected, goes from left to right.

At least two people are necessary to lift the sofa, do not lift the sofa alone or push it.

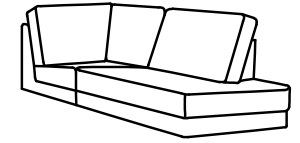
It may cause damage in the connecting mechanisms and may create creaking noise in furniture.

The sofa has to be placed on a flat and leveled surface.

While attaching parts make sure hooks No. 1 fit with hooks No. 2.

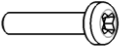
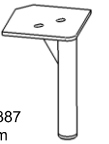
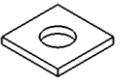
VILMERS

OPENCORNER

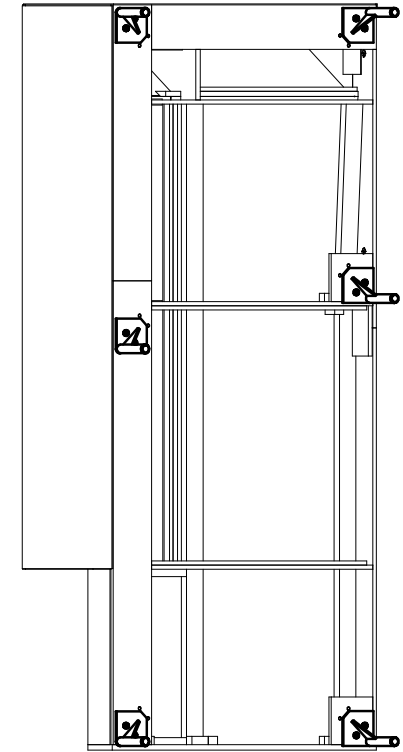
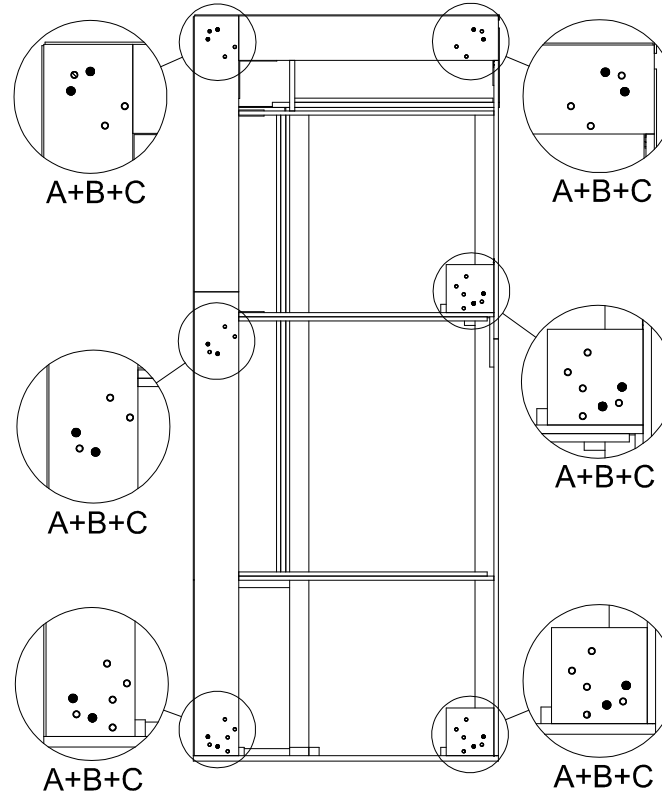
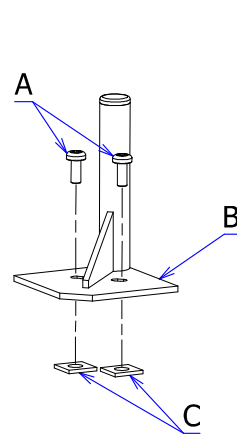


MODULAR SOFA

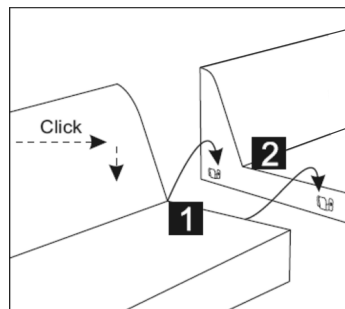
I

A	12	
B	6	 No. 387 15 cm
C	12	 Plastic

II



III



IMPORTANT

- The direction in which the hooks are connected, goes from left to right.
- At least two people are necessary to lift the sofa, do not lift the sofa alone or push it.
- It may cause damage in the connecting mechanisms and may create creaking noise in furniture.
- The sofa has to be placed on a flat and leveled surface.
- While attaching parts make sure hooks No. 1 fit with hooks No. 2.

VILMERS